



CROWN ELECTRONICS



Crown P/N: CRT-3490

Crown Electronics

2005A Industrial Blvd.

Rockwall, TX 75087

972-771-4711

972-771-9499 (fax)

800-225-3429 (toll free)

For More Information:

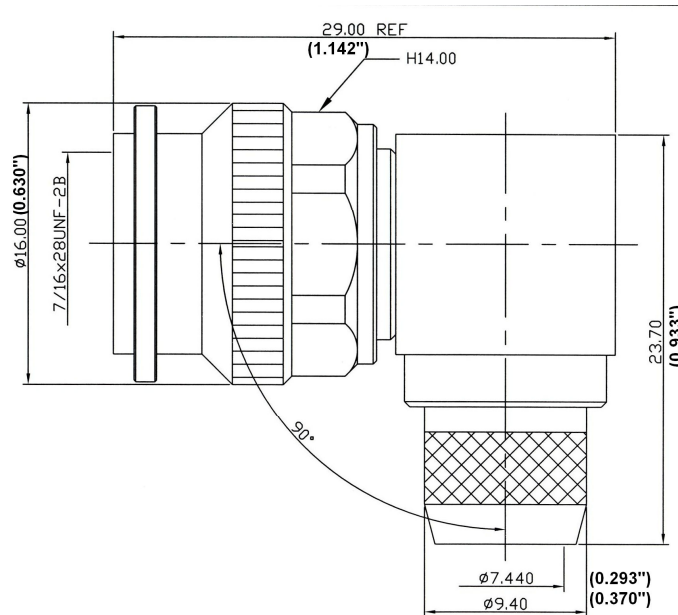
Sales@crownelectronics.com

Description: TNC (Male) Rt. Angle Crimp LMR-400, SW-400

Body: Nickel / Brass

Insulation: Teflon

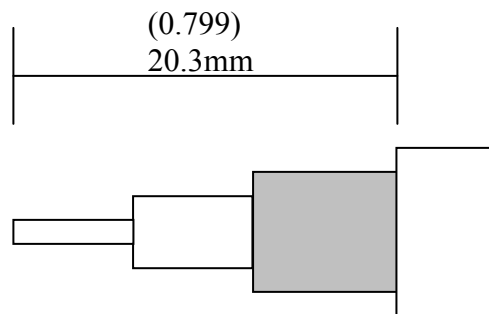
Contact: Gold / Beryllium Copper



Stripping Information:

All Measurements are in

(Inches)
Millimeters



(0.236)	(0.228)	(0.335)
6.0mm	5.8mm	8.5mm