

Crown Electronics
 2005A Industrial Blvd.
 Rockwall, TX 75087
 972-771-4711
 972-771-9499 (fax)
 800-225-3429 (toll free)

For More Information:
Sales@crownelectronics.com

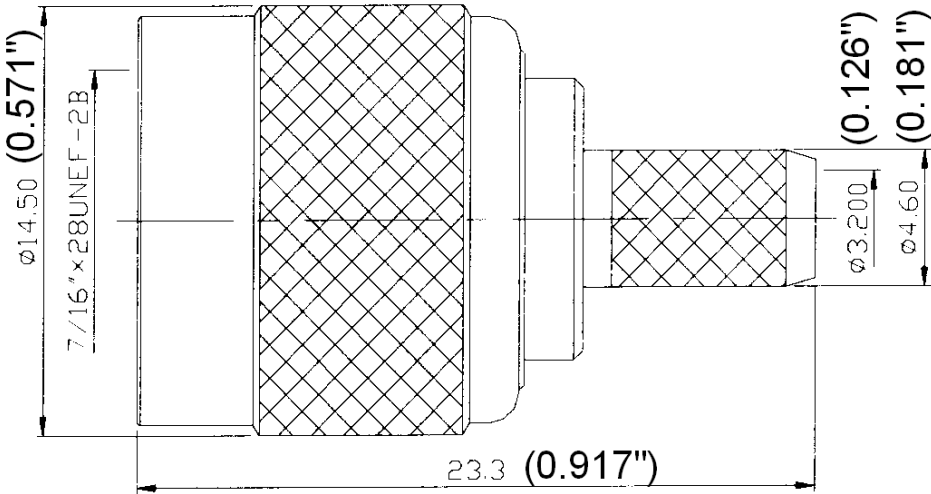
Crown P/N: CRT-3101RP

Description: TNC (Male) Crimp RG-58, 142, LMR-240

Body: Nickel / Brass

Insulation: Teflon

Contact: Gold / Beryllium Copper



Stripping Information:

All Measurements are in

(Inches)
Millimeters

