

## Crown P/N: CRS-6700RP

Crown Electronics

2005A Industrial Blvd.

Rockwall, TX 75087

972-771-4711

972-771-9499 (fax)

800-225-3429 (toll free)

For More Information:

[Sales@crownelectronics.com](mailto:Sales@crownelectronics.com)

**Description:** SMA (Male) Reverse Polarity  
Crimp RG-174, 316, 316 Dual Shield

**Body:** Gold / Brass

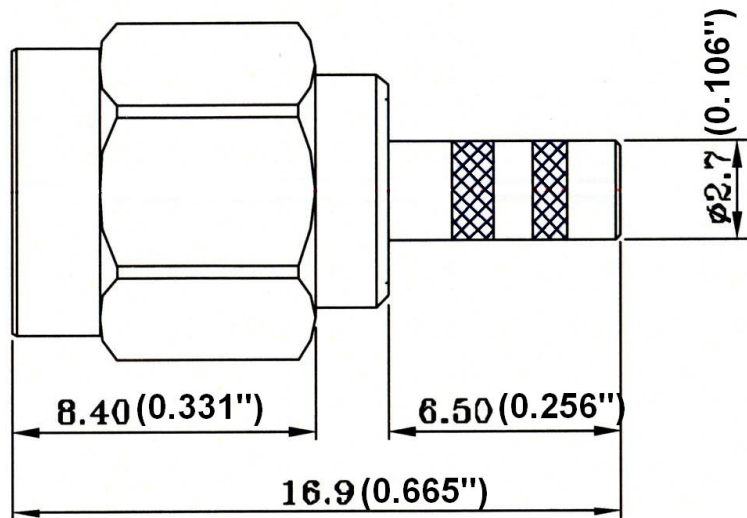
**Insulation:** Teflon

**Contact:** Gold / Beryllium Copper

**Crimp Tool Settings:**

**Pin -- SMA Tool**

**Sleeve (Step-Down) -- .10 and .128**



**Stripping Information:**

All Measurements are in

(Inches)  
Millimeters

