

Crown P/N: CRN-1609QC

Crown Electronics

2005A Industrial Blvd.

Rockwall, TX 75087

972-771-4711

972-771-9499 (fax)

800-225-3429 (toll free)

For More Information:

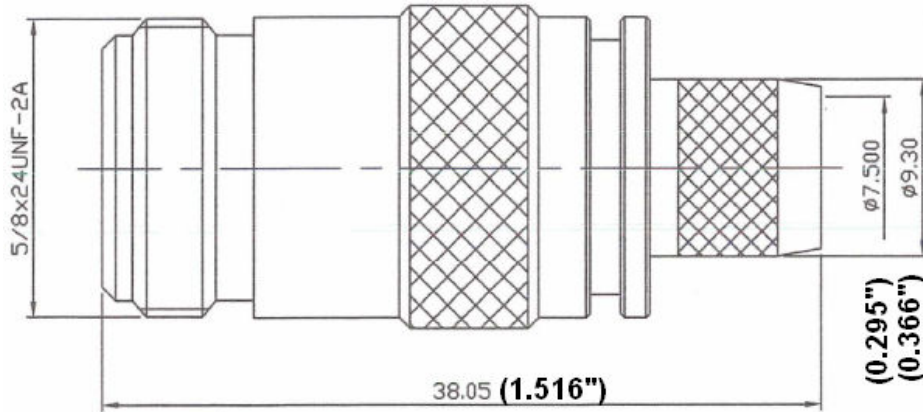
Sales@crownelectronics.com

Description: N (Female) Crimp LMR-400, SW-400
**** This 2-pc. Quick-Connect design contains a pin secured in the connector**

Body: Nickel / Brass

Insulation: Teflon

Contact: Gold / Nickel / Brass



Stripping Information:

All Measurements are in

(Inches)
Millimeters

