

Crown Electronics
 2005A Industrial Blvd.
 Rockwall, TX 75087
 972-771-4711
 972-771-9499 (fax)
 800-225-3429 (toll free)

For More Information:
Sales@crownelectronics.com

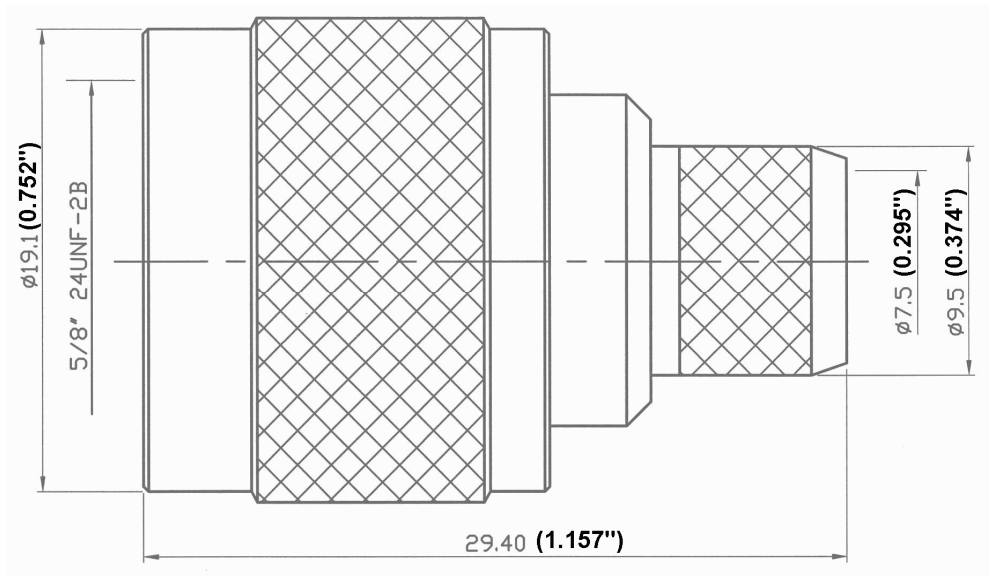
Crown P/N: CRN-1602-75

Description: N (Male) Crimp LMR-400 75 ohm

Body: Nickel

Insulation: Teflon

Contact: Gold Plated, **75 ohm**



Stripping Information:

All Measurements are in

(Inches)
Millimeters

