

Crown P/N: UG-1095B

Description: **N (F) Clamp RG-58, 142, 223**

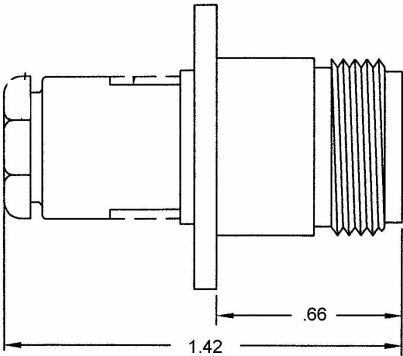
Body: **Nickel / Brass**

Insulation: **Teflon**

Contact: **Silver / Beryllium Copper**

Crown Electronics
 2005A Industrial Blvd.
 Rockwall, TX 75087
 972-771-4711
 972-771-9499 (fax)
 800-225-3429 (toll free)

For More Information:
Sales@crownelectronics.com



Stripping Information:

All Measurements are in
(Inches)
 Millimeters

