

## Crown P/N: CRN-1625

**Description:** N (Female) Crimp  
LMR-400, SW-400, 9913, 9914

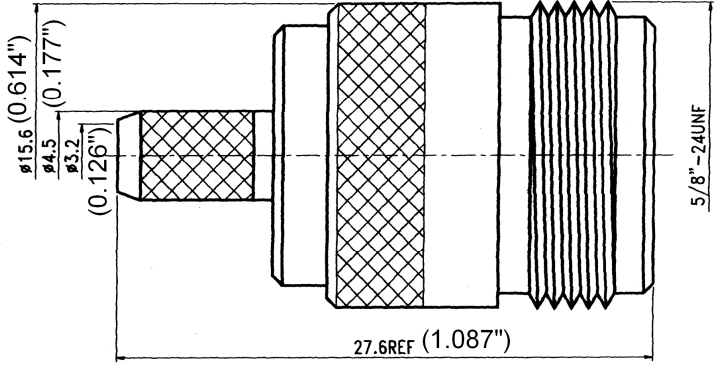
**Body:** Nickel

**Insulation:** Teflon

**Contact:** Gold Plated

Crown Electronics  
 2005A Industrial Blvd.  
 Rockwall, TX 75087  
 972-771-4711  
 972-771-9499 (fax)  
 800-225-3429 (toll free)

For More Information:  
[Sales@crownelectronics.com](mailto:Sales@crownelectronics.com)



**Stripping Information:**

All Measurements are in

(Inches)  
Millimeters

