

## Crown P/N: CRN-1604QC

Crown Electronics  
 2005A Industrial Blvd.  
 Rockwall, TX 75087  
 972-771-4711  
 972-771-9499 (fax)  
 800-225-3429 (toll free)

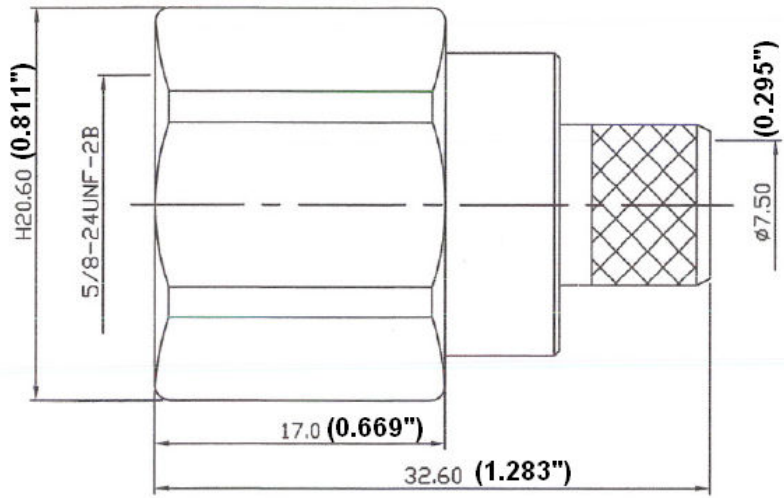
For More Information:  
[Sales@crownelectronics.com](mailto:Sales@crownelectronics.com)

**Description:**      **N (Male) Crimp LMR-400, SW-400**  
**\*\* This 2-pc. Quick-Crimp design contains a pin secured in the connector**

**Body:**                      **Nickel / Brass**

**Insulation:**              **Teflon**

**Contact:**                 **Gold / Nickel / Brass**



**Stripping Information:**

All Measurements are in

(Inches)  
Millimeters

