



CROWN ELECTRONICS

[Home](#)[RF Connectors](#)[Coax Cable](#)[Custom Assemblies](#)[Contact Us](#)

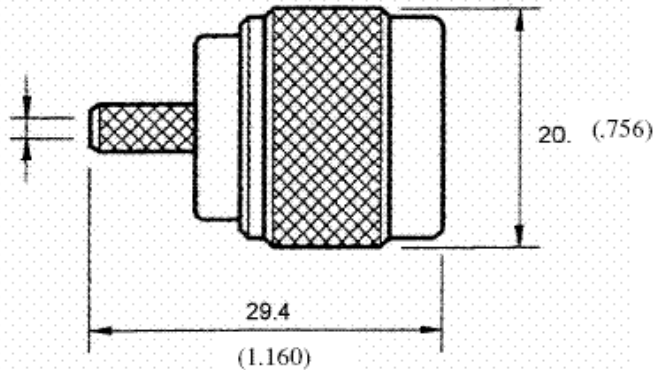
Crown P/N: CRN-1100

Description: N (Male) Crimp RG-58, RG-142

Body: Nickel

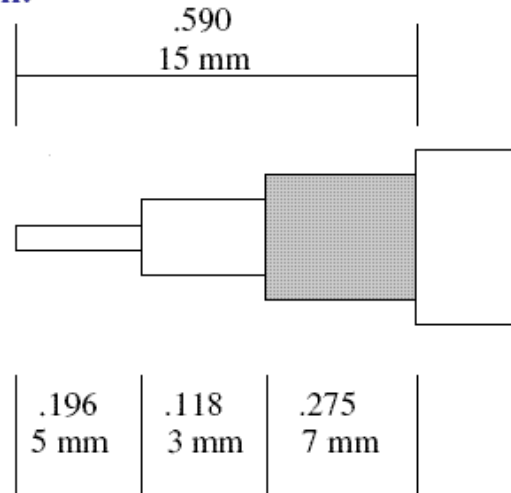
Insulation: Teflon

Contact: Gold / Beryllium Copper



All Measurements are in:

Inches (millimeters)



Crown Electronics

2005A Industrial Blvd.

Rockwall, TX 75087

972-771-4711

972-771-9499 (fax)

800-225-3429 (toll free)

For More Information:

Sales@crownelectronics.com



Same Day Shipping

Major Credit Cards Accepted

