

Crown Electronics

2005A Industrial Blvd.

Rockwall, TX 75087

972-771-4711

972-771-9499 (fax)

800-225-3429 (toll free)

For More Information:

Sales@crownelectronics.com

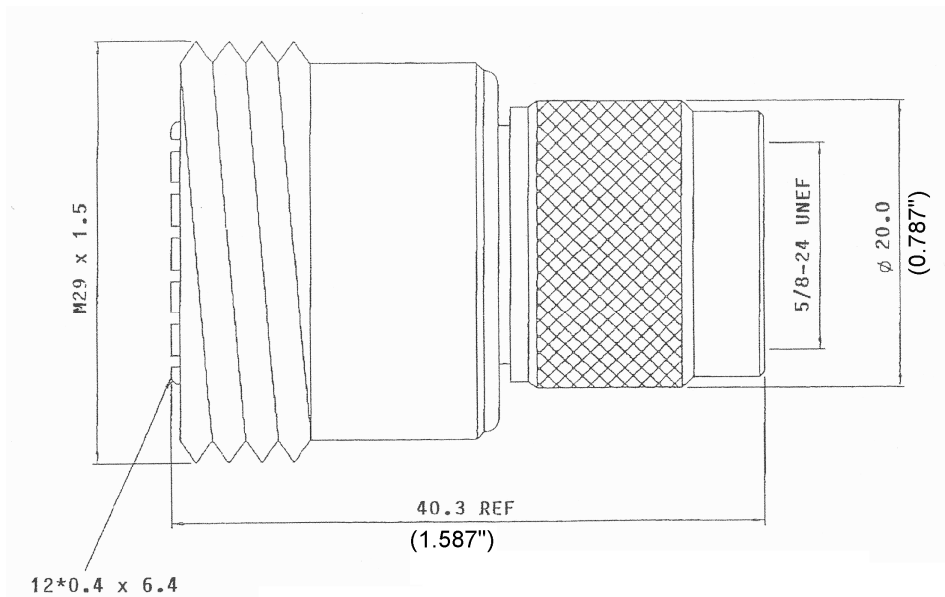
Crown P/N: CRD-7550

Description: **7/16 Female – N Male**

Body: ***White Bronze / Brass**

Insulation: **Teflon**

Contact: **Silver / Brass**



*White Bronze (copper-tin-zinc alloy)

- Corrosion Resistant
- Lead-free
- Non-magnetic
- Solderable
- 2002/95/EC (RoHS) Compliant

Additional Info:

- Frequency: DC to 7.5 GHz
- Impedance: 50 Ohm
- Temp Range: -65 °C to 125 °C