

Crown Electronics

2005A Industrial Blvd.

Rockwall, TX 75087

972-771-4711

972-771-9499 (fax)

800-225-3429 (toll free)

For More Information:

Sales@crownelectronics.com

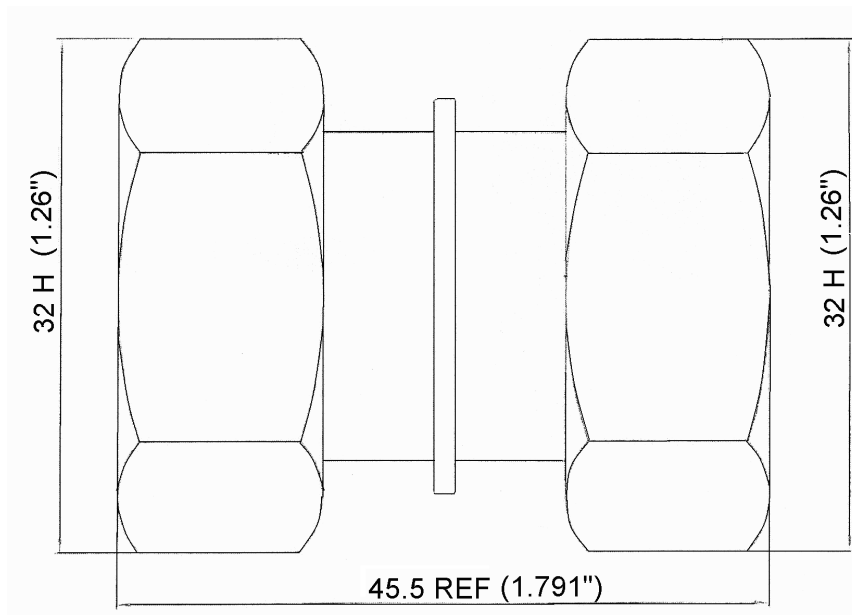
Crown P/N: CRD-7000

Description: **7/16 Male – 7/16 Male**

Body: ***White Bronze / Brass**

Insulation: **Teflon**

Contact: **Silver / Brass**



*White Bronze (copper-tin-zinc alloy)

- **Corrosion Resistant**
- **Lead-free**
- **Non-magnetic**
- **Solderable**
- **2002/95/EC (RoHS) Compliant**

Additional Info:

- **Frequency: DC to 7.5 GHz**
- **Impedance: 50 Ohm**
- **Temp Range: -65 °C to 125 °C**