

Home	RF Connectors	Coax Cable	Custom Assemblies	Contact Us
----------------------	-------------------------------	----------------------------	-----------------------------------	----------------------------

Crown P/N: CRD-2240

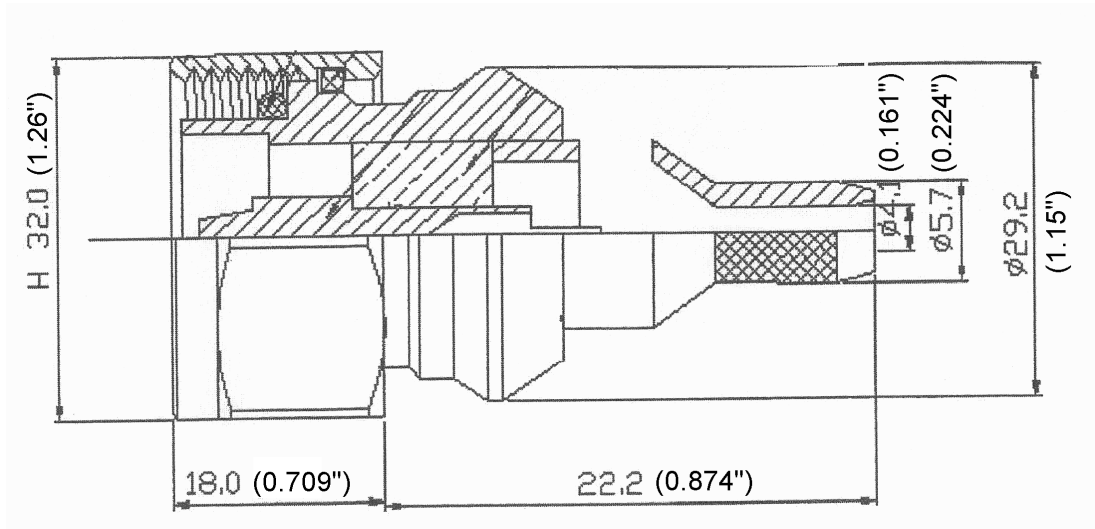
Crown Electronics
 2005A Industrial Blvd.
 Rockwall, TX 75087
 972-771-4711
 972-771-9499 (fax)
 800-225-3429 (toll free)
 For More Information:
Sales@crownelectronics.com

Description: **7/16 (M) Crimp LMR-240**
 (Pin can be soldered or crimped)

Body: ***White Bronze / Brass**

Insulation: **Teflon**

Contact: **Silver / Brass**



Additional Info:

- **Frequency: DC to 7.5 GHz**
- **Impedance: 50 Ohm**
- **Temp Range: -65 °C to 125 °C**

***White Bronze (copper-tin-zinc alloy)**

- **Corrosion Resistant**
- **Lead-free**
- **Non-magnetic**
- **Solderable**
- **2002/95/EC (RoHS) Compliant**

